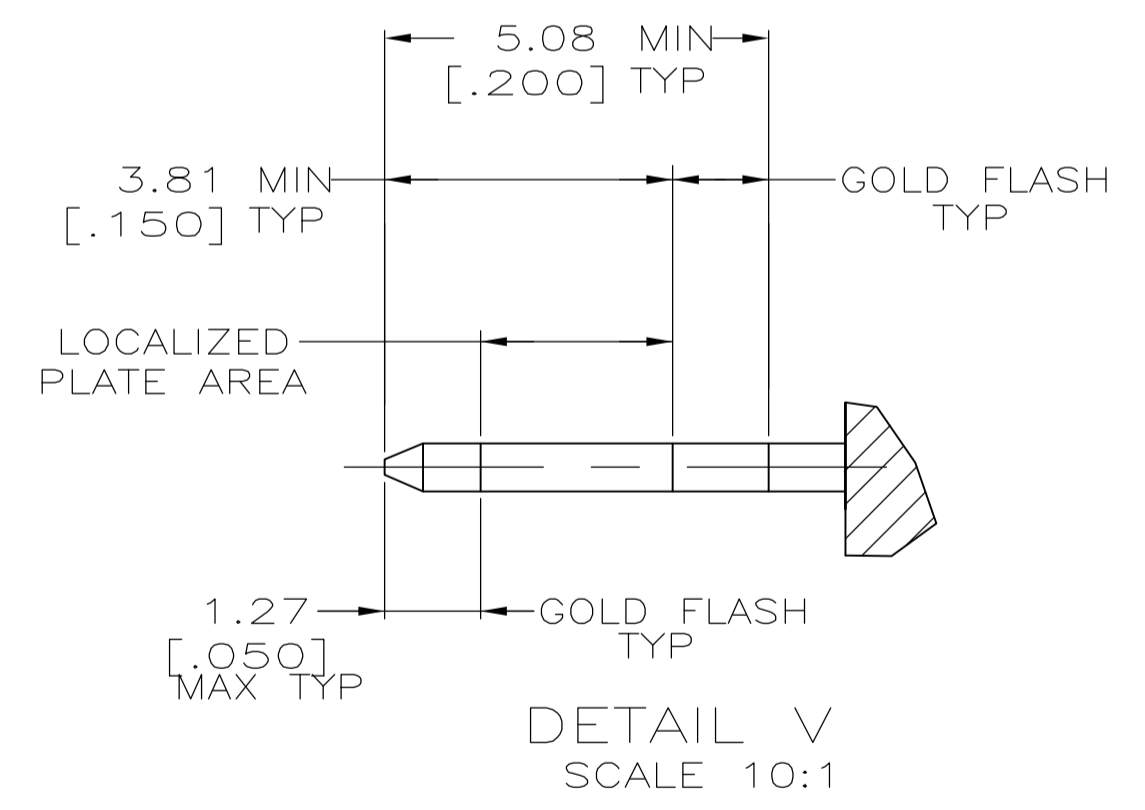
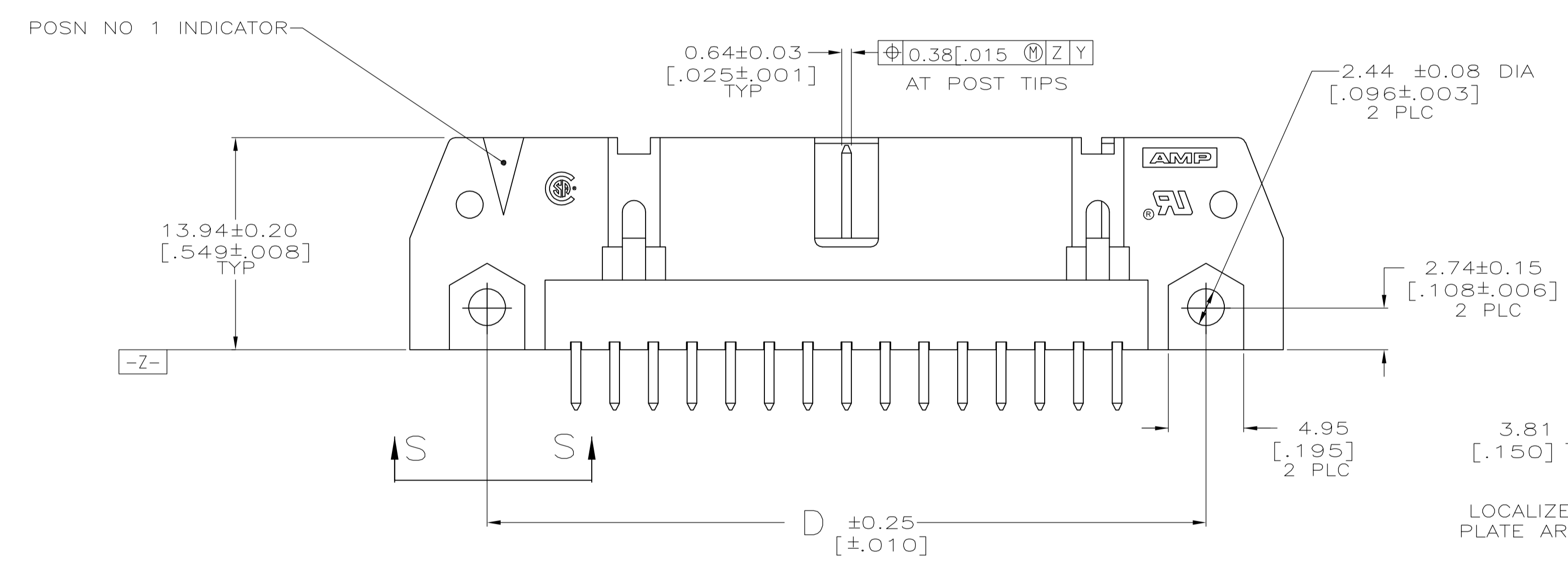
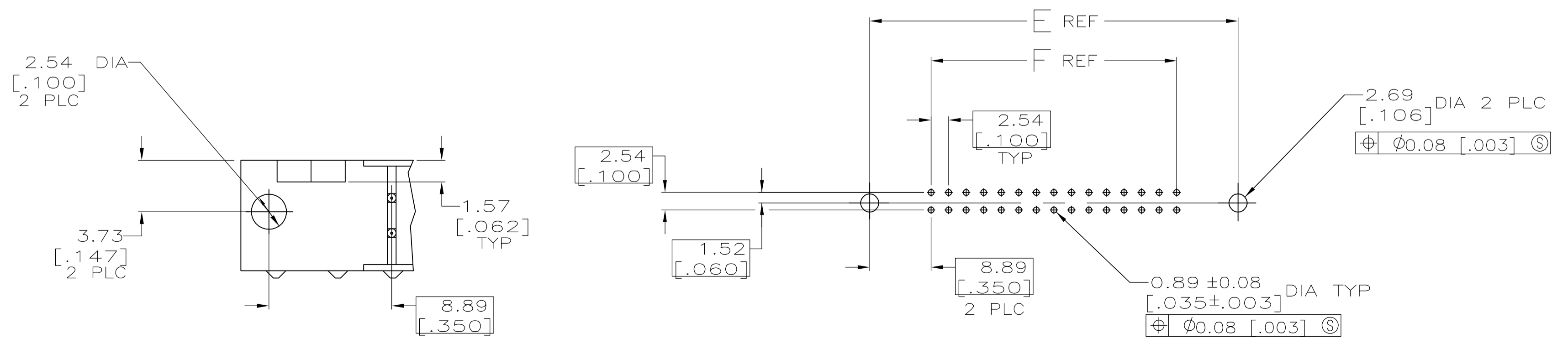


- ① COORDINATE DIMENSION APPLIES FROM BASIC LOCATION.
- ② 10 AND 14 POSITION SIZES CONTAIN ONLY ONE SLOT FOR SNAP-IN POLARIZER (MILITARY POLARIZATION) LOCATED AS SHOWN.
- ③ 10 POSITION SIZES CONTAIN ONLY ONE SLOT FOR DUAL POLARIZATION, LOCATED AS SHOWN.
- 4. RECOMMENDED PRINTED CIRCUIT BOARD THICKNESS IS 3.18 [0.125].
- ⑤ POSTS:
 GOLD FLASH OVER
 0.38µm [0.000015] MIN PALLADIUM-NICKEL PLATE ON THE LOCALIZED PLATE AREA,
 2.54µm [0.000100] MIN TIN-LEAD PLATE ON THE SOLDER-TAIL,
 1.27µm [0.000050] MIN NICKEL UNDERPLATE ON THE ENTIRE POST.
 OR
 0.38µm [0.000015] MIN GOLD PLATE ON THE LOCALIZED PLATE AREA,
 2.54µm [0.000100] MIN TIN-LEAD PLATE ON THE SOLDER-TAIL,
 1.27µm [0.000050] MIN NICKEL UNDERPLATE ON THE ENTIRE POST.
- ⑥ MATERIAL:
 HOUSING: GLASS FILLED NYLON OR POLYESTER, 94V-0 RATED, BLACK.
 POSTS: PHOSPHOR BRONZE OR BRASS.



OBSOLETE	53.34	71.12	65.02	75.18	71.12	60.96	44	1-102155-3
	2.100	2.800	2.560	2.960	2.800	2.400		
OBSOLETE	78.74	96.52	90.42	100.58	96.52	86.36	64	1-102155-2
	3.100	3.800	3.560	3.960	3.800	3.400		
OBSOLETE	73.66	91.44	85.34	95.50	91.44	81.28	60	1-102155-1
	2.900	3.600	3.360	3.760	3.600	3.200		
OBSOLETE	60.96	78.74	72.64	82.80	78.74	68.58	50	1-102155-0
	2.400	3.100	2.860	3.260	3.100	2.700		
OBSOLETE	48.26	66.04	59.94	70.10	66.04	55.88	40	102155-9
	1.900	2.600	2.360	2.760	2.600	2.200		
OBSOLETE	40.64	58.42	52.32	62.48	58.42	48.26	34	102155-8
	1.600	2.300	2.060	2.460	2.300	1.900		
OBSOLETE	35.56	53.34	47.24	57.40	53.34	43.18	30	102155-7
	1.400	2.100	1.860	2.260	2.100	1.700		
OBSOLETE	30.48	48.26	42.16	52.32	48.26	38.10	26	102155-6
	1.200	1.900	1.660	2.060	1.900	1.500		
OBSOLETE	27.94	45.72	39.62	49.78	45.72	35.56	24	102155-5
	1.100	1.800	1.560	1.960	1.800	1.400		
OBSOLETE	22.86	40.64	34.54	44.70	40.64	30.48	20	102155-4
	0.900	1.600	1.360	1.760	1.600	1.200		
OBSOLETE	17.78	35.56	29.46	39.62	35.56	25.40	16	102155-3
	0.700	1.400	1.160	1.560	1.400	1.000		
OBSOLETE	15.24	33.02	26.92	37.08	33.02	22.86	14	102155-2
	0.600	1.300	1.060	1.460	1.300	0.900		
OBSOLETE	10.16	27.94	21.84	32.00	27.94	17.78	10	102155-1
	0.400	1.100	0.860	1.260	1.100	0.700		
	F	E	D	C	B	A	NO OF POSN	PART NUMBER



THIS DRAWING IS A CONTROLLED DOCUMENT.

DIMENSIONS: mm [INCHES]	TOLERANCES UNLESS OTHERWISE SPECIFIED:	DIN H. MOLL 4-23-90	tyco Electronics Tyco Electronics Corporation Harrisburg, PA 17105-3608
0 PLC ± -	1 PLC ± -	CHK R. STONE 11-28-90	NAME
2 PLC ± 0.13[0.005]	3 PLC ± -	APVD	PRODUCT SPEC 108-40018
4 PLC ± -	ANGLES ± -		APPLICATION SPEC
MATERIAL	FINISH	WEIGHT	SIZE CASE CODE DRAWING NO RESTRICTED TO
		A1 00779	102155
		CUSTOMER DRAWING	SCALE 4:1 SHEET 1 OF 1 REV K